

PRODUCT CATALOG

—WPC Series& PS Wall Panel,UV Marble Board—



"Building a Better World, One Material at a Time!"

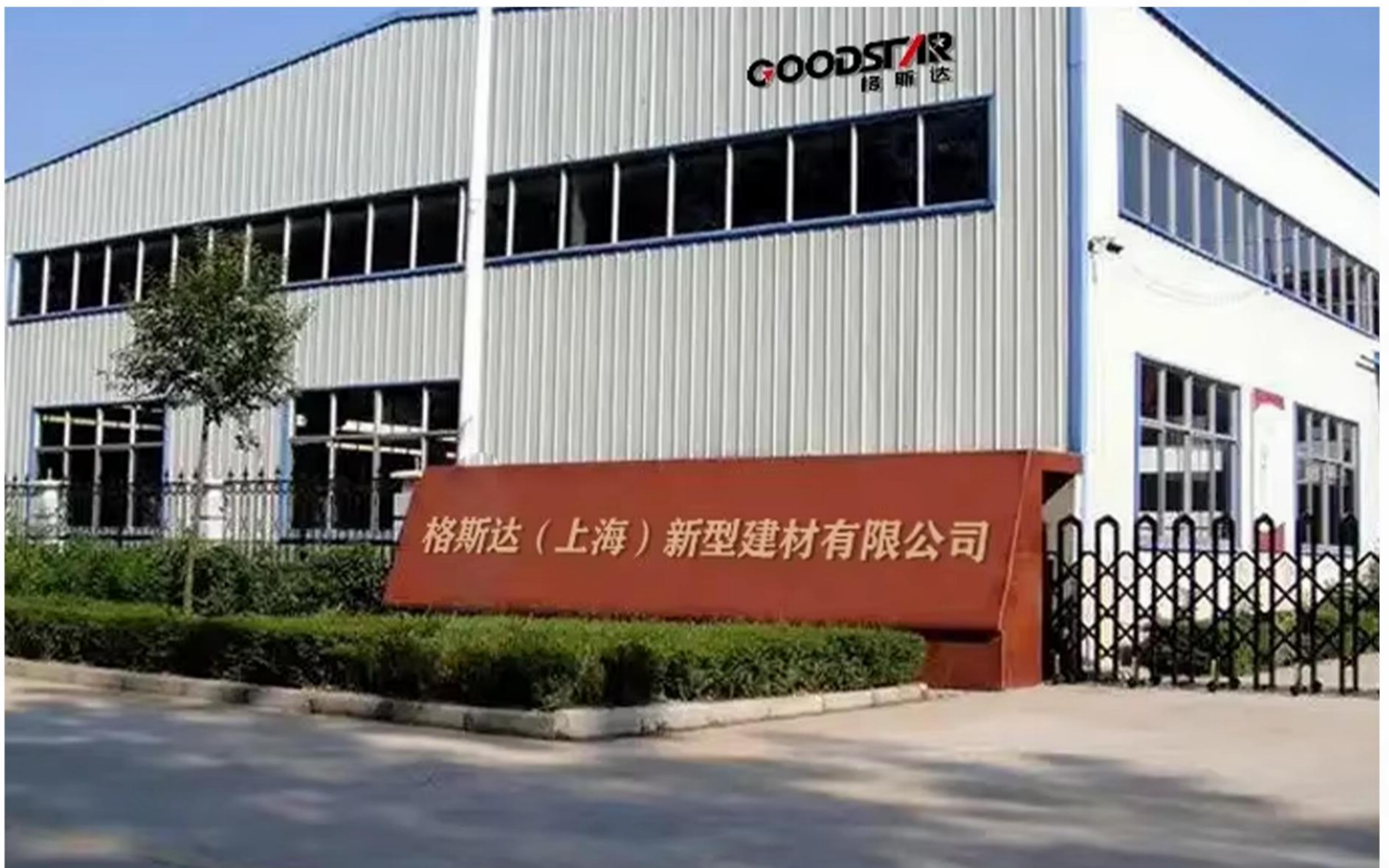
GOODSTAR
格斯达

<https://goodstarbm.com/>

Our company has rich experience in production and product design. We mainly produce supporting decoration products such as interior WPC wall panels, PS wall panels, UV panels, AKU acoustic panels, outdoor wall cladding and Bamboo Charcoal Wood Veneers.

Adhering to the development concept of "integrity-based, customer first and quality first", our company focuses on serving the domestic and foreign decorative building materials industries. Our products are exported to more than 50 countries and regions, including the United States, Russia, the United Kingdom, Indonesia, Vietnam, the Middle East and South America.

The company has a platform integrating the functions of a factory and a company, which can meet various customization needs of customers and quickly produce samples.



□ Certificate:



□ Factory snapshot:



EXTERNAL WPC FLOORING & CLADDING

“ External WPC (Wood-Plastic Composite) flooring and cladding integrate wood fibers and recycled plastics, offering durability and eco-friendliness⁶⁸. Ideal for outdoor use, it’s waterproof, UV-resistant, and withstands harsh weather, making it suitable for decks, patios, and exterior walls⁶⁷. The material mimics natural wood textures while resisting rot, mold, and insects⁶⁸. Its click-lock installation simplifies DIY projects, and low-maintenance features reduce upkeep¹⁸. Fire-retardant options enhance safety⁸. WPC cladding provides thermal insulation and aesthetic versatility with varied colors and 3D designs, perfect for modern, sustainable architecture



>>>Product Features

Durable for Outdoor Application-Stable and anti-UV in any temperatures.



Easy Installation-Just few screws for the fence installation. The smart design makes the fence DIY become possible.



Eco-friendly - Mecofence is made of recyclable materials. It doesn't contain harmful elements or heavy metals.



Confident Warranty- Mecofence offers 10 years warranty



Patented Designs - Unique fencing system and pass wind resistance test.



>>>Patents And Test Reports

Wind Resistance Test

Issue Date: 2018/3/9 Intertek Report No. 180206062GZU-003

| No. | Test Item | Test Parameter | Test Result | Verdict |
|-----|----------------------|---|---|---------|
| 1 | Wind resistance test | Test method: Client's requirements Requirements: The fencing system shall resist a maximum horizontal quarter point load of 372,1 N/m ² x effective area of system (as 9 Beaufort scale or 9 wind level) | There was no failure, nor any evidence of disengagement of any component, nor visible cracks in any component | Pass |

Patent of WPC Fence



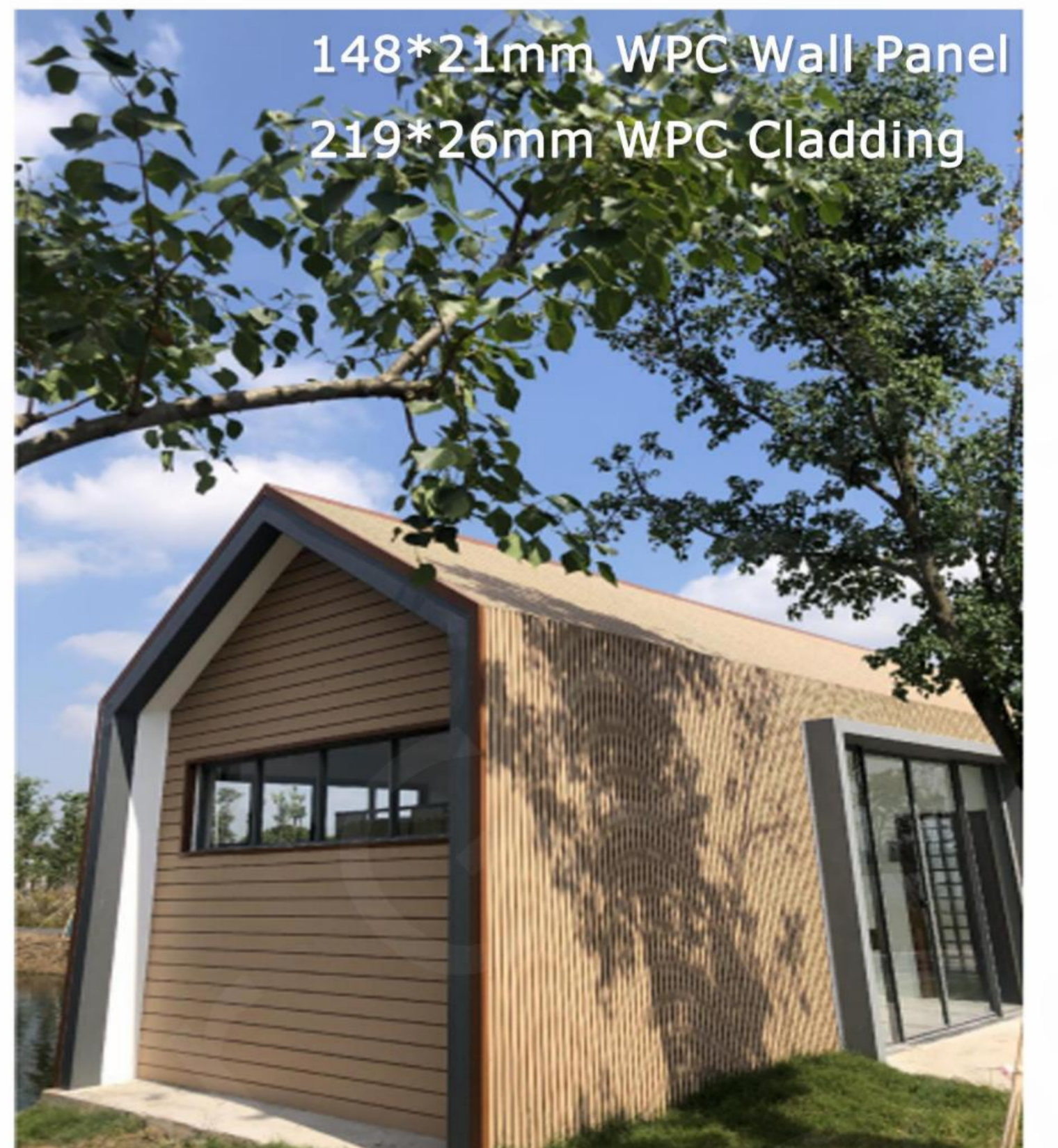
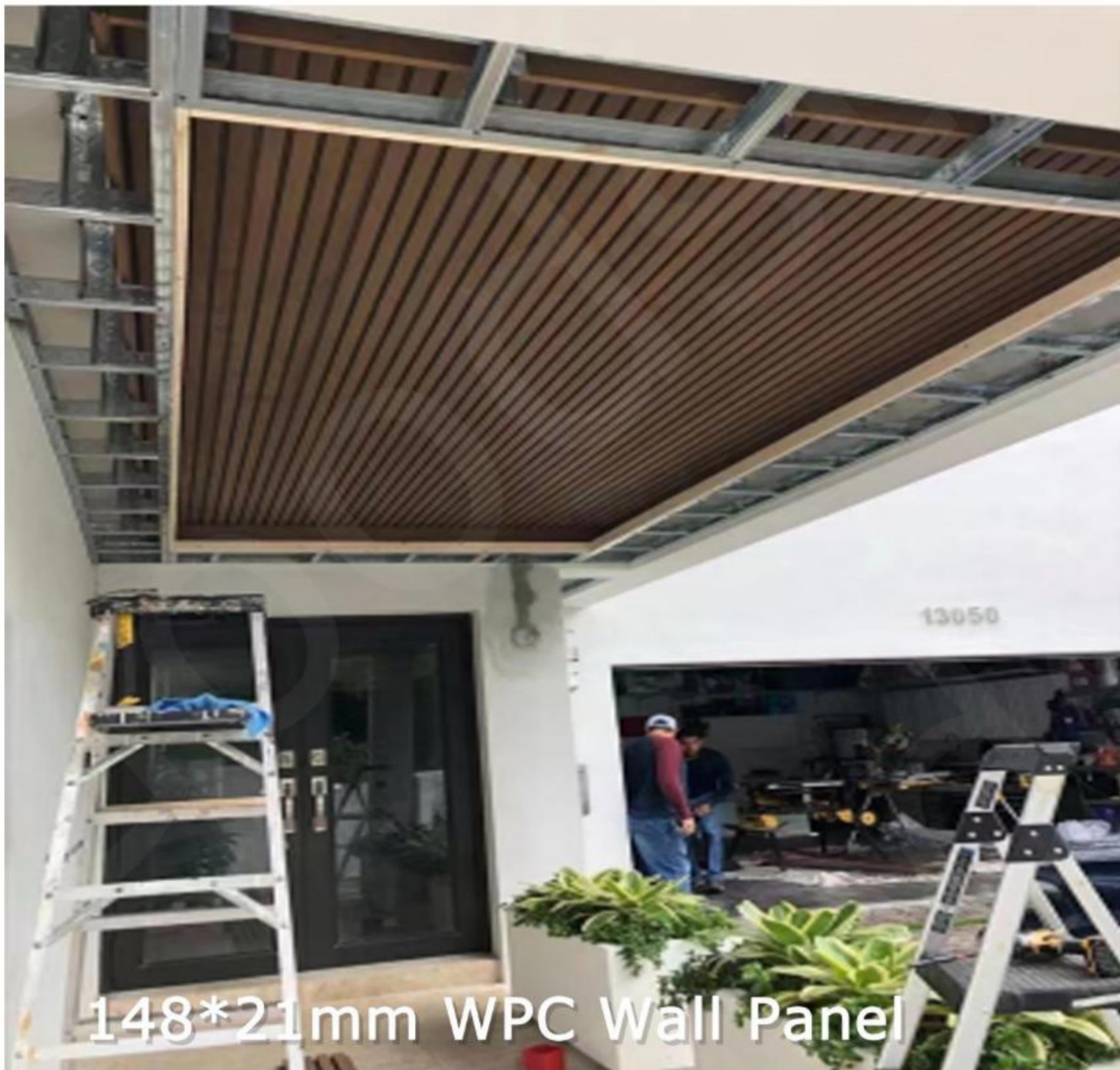
SGS Test Report



High-Technology Certificate for WPC Fence



>>> THE APPLICATIONS :



First Generation WPC Flooring



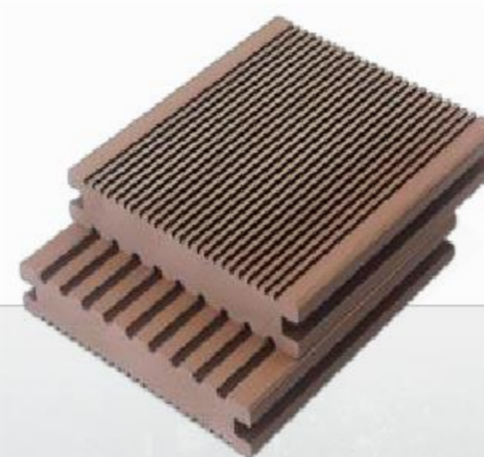
- 1st Round Hole WPC-Flooring
- Size:2900*140*25mm
- 20'Gp Cap.: 935m2
- Front&Back:25 Fine Grooves&7 Wide Grooves
- Aperture:16.4mm



- 1st Round Hole WPC-Flooring
- Size:2900*140*25mm
- 20'Gp Cap.:935m2
- Front&Back:25 Fine Slots &7 Wide Slots
- Aperture:15.2mm



- 1st Solid WPC-Flooring
- Size:2900*140*20mm
- 20'Gp Cap.:1039m2
- Front&Back:10 Fine Slots &6 Wide Slots



- 1st Solid WPC-Flooring
- Size:2900*140*25mm
- 20'Gp Cap.:831m2
- Front&Back:24 Fine Grooves&9 Wide Grooves

>>>Available Colors



Log color

Teak

Dark Gray

Ancient wood

Coffee Brown

Dark coffee

Redwood



External WPC Series

3D Embossed WPC Flooring



- 3D Embossed Square Hole WPC-Flooring
- Size:2900*146*20mm
- 20'Gp Cap.:1066m2
- Front&Back:Embossed &Grooved



- 3D Embossed Circular Hole WPC-Flooring.
- Size: 2900*148*23mm
- 20'Gp Cap.:937m2
- Front&Back:Embossed &Grooves



- 3D Embossed Circular Hole WPC-Flooring
- Size:2900*146*24mm
- 20'Gp Cap.:889m2
- Front&Back:Embossed &Grooves



- 3D Embossed Circular Hole WPC-Flooring.
- Size: 2900*150*25mm
- 20'Gp Cap.:876m2
- Front&Back: Embossed &Grooves



- 3D Embossed Circular Hole WPC-Flooring
- Size:2900*140*25mm
- 20'Gp Cap.:935m2
- Front&Back:Embossed &Grooves



- 3D Embossed Solid WPC-Flooring
- Size:2900*140*20mm
- 20'Gp Cap.:1039m2
- Front&Back:Embossed &Grooves



- 3D Embossed Solid WPC-Flooring
- Size:2900*140*23mm
- .20'Gp Cap.:883m2
- Front&Back:Embossed &Grooves



- 3D Embossed Solid WPC-Flooring
- Size:2900*140*25mm
- 20'Gp Cap.:779m2
- Front&Back:Embossed &Grooves

>>>Available Colors



Grey Black



Teak



Coffee Brown



Deep Coffee



Natural Wood



Redwood



Ancient Wood

□ Second Generation Co-extruded WPC Flooring-1



- Single Co-Extruded Circular Hole A
- Size: 2900*148*22mm
- 20'Gp Cap.: 973m²
- Front&B.: 3D Embossing & Wide Groove
- Co-Extruded Layer: 0.7mm
- Surface Finish: None



- Single Co-Extruded Circular Hole B
- Size: 2900*148*22mm
- 20'Gp Cap.: 973m²
- F&B: 3D Embossing & Wide Groove
- Co-Extruded Layer: 0.7 Mm
- Surface Finish: Brushed



- Single Co-Extruded Circular Hole A
- Size: 2900*140*25mm
- 20'Gp Cap.: 935m²
- Front&B: 3D Embossing & Wide Groove
- Co-Extruded Layer: 0.5 Mm
- Surface Finish: None



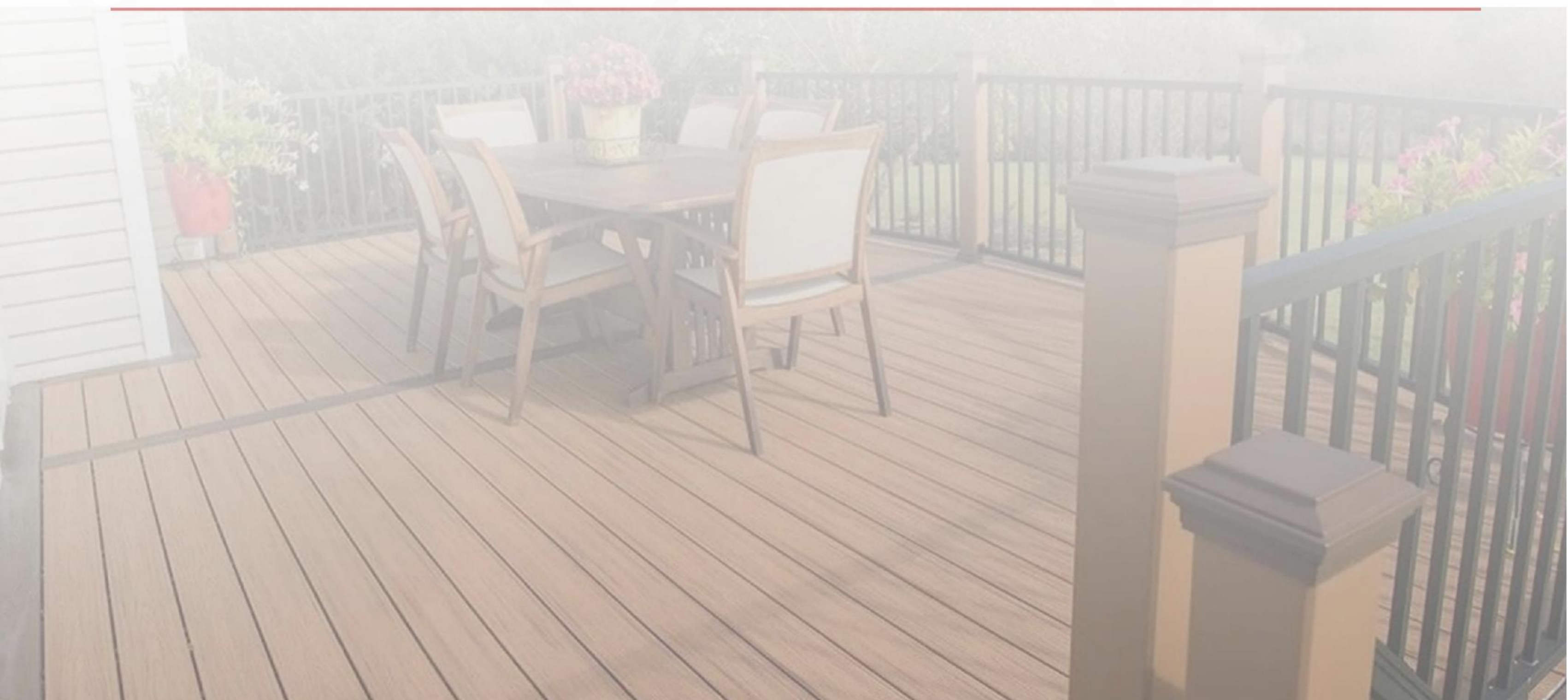
- Single Co-Extruded Circular Hole B
- Size: 2900*140*25mm
- 20'Gp Cap.: 935m²
- Front&B: 3D Embossing & Wide Groove
- Co-Extruded Layer: 0.5mm
- Surface Finish: Brushed



- Single Co-Extruded Solid A
- Size: 2900*140*20mm
- 20'Gp Cap.: 1039m²
- F&B: Featuring 3D Embossing & Featuring Wide Grooves
- Co-Extruded Layer : 0.7 Mm
- Surface Finish: Non-Surface

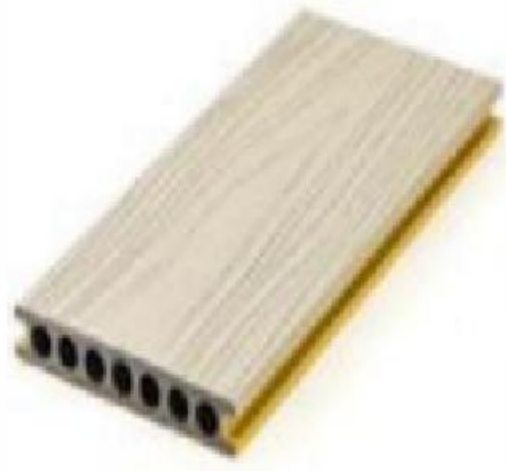


- Single Co-Extruded Solid B
- Size: 2900*140*20mm
- 20'Gp Cap.: 1039m²
- Front&Back: 3D Embossing & Wide Groove
- Co-Extruded Layer: 0.7 Mm
- Surface Finish: Brushed



External WPC Series

Second Generation Co-extruded WPC Flooring-2



- 2nd Co-Extruded Circular Hole
- Size:2900*138*23mm
- 20'Gp Cap.:998m2
- Front&Back: 3D Embossing + Wire Drawing &Wide Groove
- Co-Extruded Layer: 0.5 Mm
- Surface Finish:Brushed



- 2nd Co-Extrusion Circular Hole
- Size:2900*143*23mm
- 20'Gp Cap.:970m2
- F&B:3D Embossing &Wire Drawing Flat Drawing Processing
- Co-Extruded Layer:0.8 Mm
- Surface Finish:Brushed
- Can Be Done In 2 Colors



- 2nd Co-Extruded Solid WPC-Flooring
- Size:2900*143*23mm
- 20'Gp Cap.:845m2
- Front&Back:3D Embossing+ Wire Drawing &Flat Wire Drawing
- Co-Extruded Layer: 0.7mm
- Surface Finish:Surface Brushed
- Can Be Done In 2colors



- 2nd Co-Extruded Solid Arch Panel
- Size:2900*150*23mm
- 20'Gp Cap.:828m2
- Front&Back: 3D Embossing+ Drawing &Arched
- Co-Extruded Layer: 0.5 Mm
- Surface Finish:Brushed

>>>Available Colors



古木 A 柚木2 B 枫木 C 深灰 D 浅咖啡 E 柚木1 F 中灰 G 紫檀 H



枫木色 I 柚木色 J 橡木色 K 红木色 L 紫檀色 M 浅灰色 N 银灰色 O

First Generation WPC Exterior Wall Panel



- 3D Embossed WPC-Exterior Wall Panel
- Size:2900*148*21mm
- Weight(1m): 1.74kg/m
- 20'Gp Cap.:1322m2
- Effective Width 125mm



- 3D Embossed WPC-Exterior Wall Panel
- Size:2900*156*21mm
- Weight(1m): 1.81kg/m
- 20'Gp Cap.:1249m2
- Effective Width 135mm

>>>Available Colors



Log color Teak Dark Gray Ancient wood Coffee Brown Dark coffee Redwood

□ 3D Embossed WPC Exterior Wall Panel



- 3D Embossed WPC Wall Panel
- Size:2900*148*21mm
- Weight(1m): 1.74kg/m
- 20'Gp Cap.:1322m2
- Effective Width 125mm



- 3D Embossed WPC Wall Panel
- Size:2900*156*21mm
- Weight(1m): 1.81kg/m
- 20'Gp Cap.:1249m2
- Effective Width 135mm

>>>Available Colors



Grey Black



Teak



Coffee Brown



Deep Coffee



Natural Wood



Redwood



Ancient Wood

□ Second Generation Co-Extruded WPC Wall Panel



- 2nd Co-Extruded WPC-Wall Panels
- Size:2900*156*21mm
- Weight(1m):1.78 Kg/m
- 20'Gp Cap.:1249m2
- Effective Width:135mm

>>>Available Colors



Maple



Teak



Clarks



Redwood



Rosewood



Light Gray



Silver Gray

External WPC Series

□ First Generation Of WPC Great Wall Panel



- 1st WPC-Great Wall Panels
- Size:2900*219*26mm
- Weight(1m):2.91kg/m
- 20'Gp Cap.:880m2
- Effective Width:200mm



- 1st WPC-Great Wall Panels
- Size:2900*219*26mm
- Weight(1m):2.86kg/m
- 20'Gp Cap.:880m2
- Effective Width 200mm



- 1st WPC-Great Wall Panels
- Size:2900*167*29mm
- Weight(1m):2.58kg/m
- 20'Gp Cap.:730m2
- Effective Width 150mm



- 1st WPC-Great Wall Panels
- Size:2900*290*21mm
- Weight(1m):3.51kg/m
- 20'Gp Cap.:974m2
- Effective Width 250mm

>>>Available Colors



Ancient Wood



Snow Pine Red



Dark Gray



Coffee Brown



Dark Coffee



Teak

□ Second Generation Co-Extruded WPC Great Wall Panel



- Single Co-Extruded WPC-Great Wall Panel
- Size: 2900*219*26mm
- Weight(1m): 2.89kg/m
- 20'Gp Cap.: 880m²
- Effective Width 200mm



- Single Co-Extruded WPC-Great Wall Panel
- Size: 2900*177*13mm
- Weight(1m): 1.78kg/m
- 20'Gp Cap.: 1584m²
- Effective Width 165mm



- 2nd Co-Extruded WPC-Great Wall Panel
- Size: 2900*217*25mm
- Weight(1m): 2.79kg/m
- 20'Gp Cap.: 880m²
- Effective Width 200mm



- 2nd Co-Extruded WPC-Great Wall Panel
- Size: 2900*219*26mm
- Weight(1m): 2.99kg/m
- 20'Gp Cap.: 880m²
- Effective Width 200mm



- 2nd Co-Extruded WPC-Great Wall Panel
- Size: 2900*219*26mm
- Weight(1m): 2.83kg/m
- 20'Gp Cap.: 880m²
- Effective Width 200mm



- 2nd Co-Extruded WPC-Great Wall Panel
- Size: 2900*223**26mm
- Weight(1m): 3.15kg/m
- 20'Gp Cap.: 824m²
- Effective Width 206mm

>>> Available Colors



White



Maple



Redwood



Light Gray



Clarks



Silver Gray



Teak



Rosewood

External WPC Series

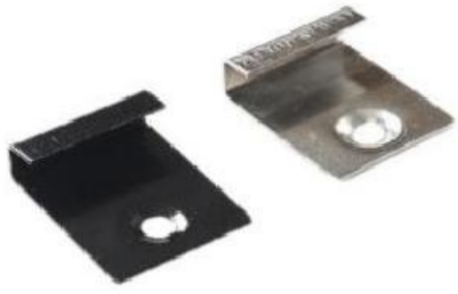
WPC Install Accessories



- Plastic Buckles
- Recommended Quantity: 21pcs/m²
- Unit Price:\$0.016/PC
- Not retail;No MOQ



- Stainless Steel Buckle
- Recommended Quantity: 21pcs/m²
- Unit Price:\$0.048/PC
- Not retail;No MOQ



- Starting Buckle
- Unit Price:\$0.048/PC
- Not retail;No MOQ



- Screws
- Recommended Quantity: 21pcs/m²
- Unit Price:\$0.008/PC
- Not retail;No MOQ



- Fixed Nail
- Recommended Quantity: 7 Sets/m²
- Unit Price:\$0.045/PC
- Not retail;No MOQ



- WPC-Keel
- Size:40*25mm
- Recommended Quantity: 3m/m²
- Unit Price:\$0.83/M



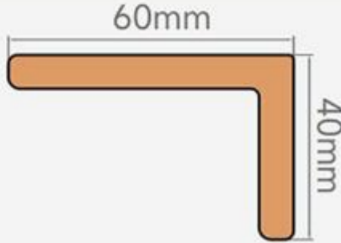
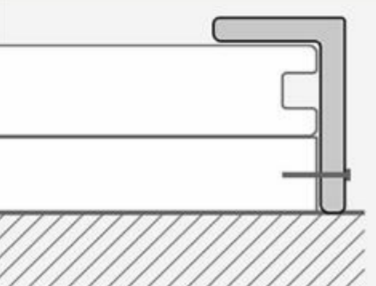

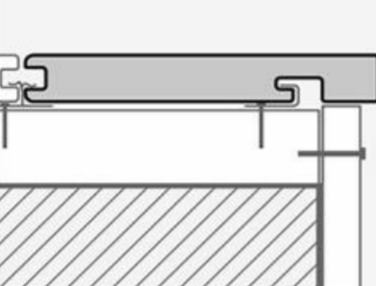

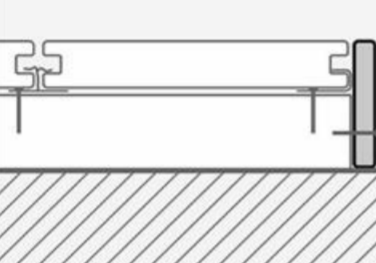

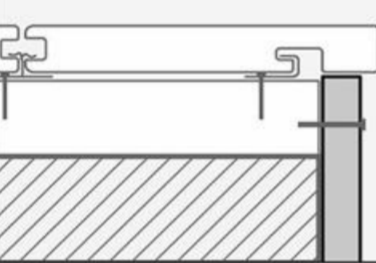
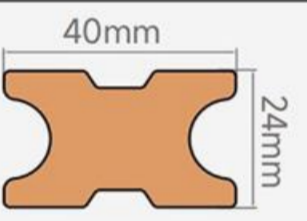
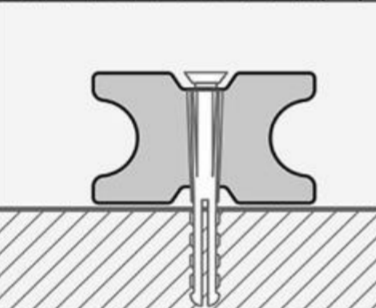

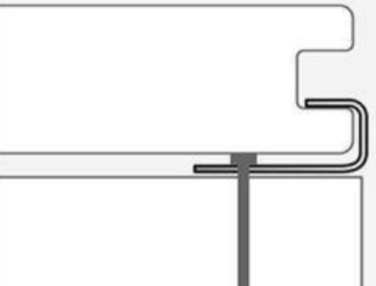

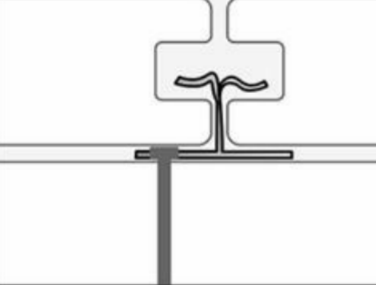

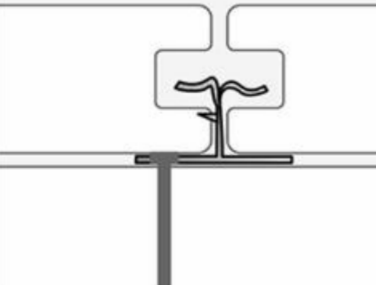

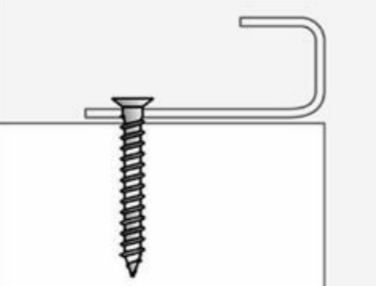

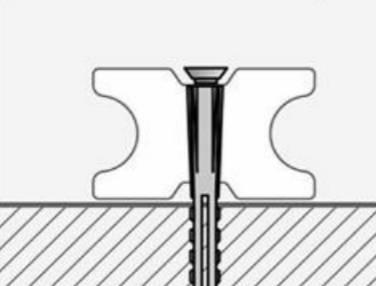
- 1st WPC-Edge Banding
- Size:50*50mm
- Recommended Quantity:As Your Needs
- Unit Price:\$0.76/M



- 2ndco-Extruded WPC-Edge Banding
- Size: 50*50mm
- Recommended Quantity:As Your Needs
- Unit Price:\$1.4/M

>>> DECKING INSTALLATION ACCESSORIES:

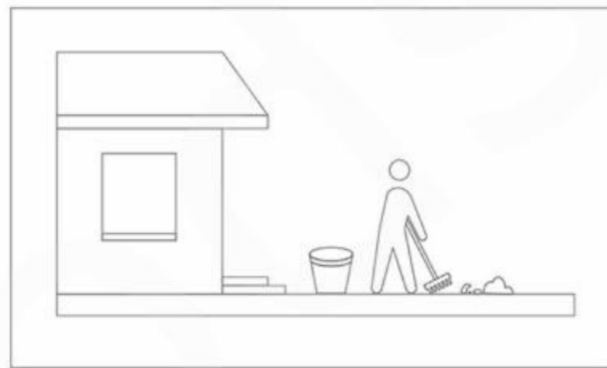
Decking in the picture are only for reference, the exact color should be subject to the actual products.

| ACCESSORIES | DIAGRAM | | | | | | | | | | | | |
|---|---|---|---|---|---|---|---|---|---|---|---|---|---|
|  End Cap (JE101) |  | ✓ | ✓ | ✓ | ✓ | ✓ | - | - | - | - | - | - | - |
|  End Cap (JE30) |  | ✓ | ✓ | - | ✓ | ✓ | - | - | - | - | - | - | - |
|  End Cap (JE110) |  | ✓ | ✓ | - | ✓ | ✓ | - | - | - | - | - | - | - |
|  Riser (JE113) |  | ✓ | ✓ | ✓ | ✓ | ✓ | - | - | - | - | - | - | - |
|  Keel (JE100) |  | ✓ | ✓ | ✓ | ✓ | ✓ | ✓ | ✓ | ✓ | ✓ | ✓ | ✓ | ✓ |
|  Start Clip (L-A002) |  | ✓ | ✓ | ✓ | ✓ | ✓ | ✓ | ✓ | ✓ | ✓ | ✓ | ✓ | ✓ |
|  Clip (L-A001) |  | ✓ | ✓ | ✓ | ✓ | ✓ | ✓ | ✓ | ✓ | ✓ | ✓ | ✓ | ✓ |
|  Clip (L-A001B) |  | ✓ | ✓ | ✓ | ✓ | ✓ | ✓ | ✓ | ✓ | ✓ | ✓ | ✓ | ✓ |
|  Nail (L-A004) |  | ✓ | ✓ | ✓ | ✓ | ✓ | ✓ | ✓ | ✓ | ✓ | ✓ | ✓ | ✓ |
|  Expansion Screw (L-A008) |  | ✓ | ✓ | ✓ | ✓ | ✓ | ✓ | ✓ | ✓ | ✓ | ✓ | ✓ | ✓ |

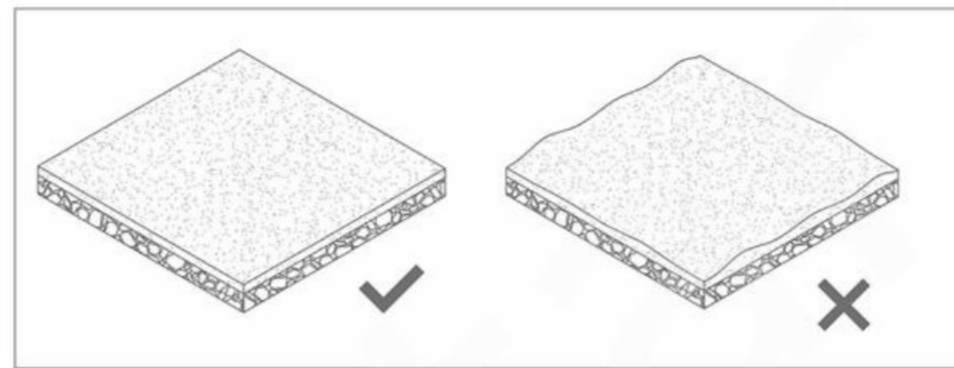
Remark: ✓ Available - Not Available

>>>STEPS:

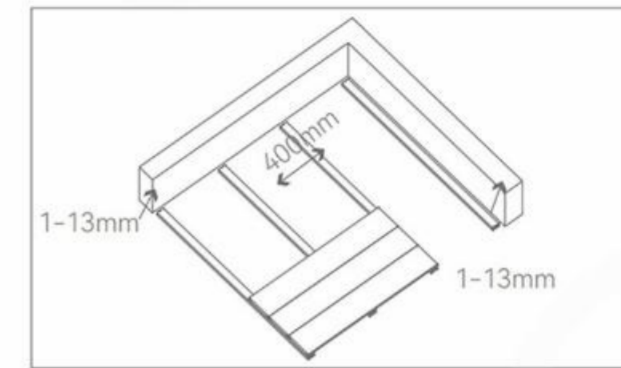
Perparation:



01. Sweep the floor

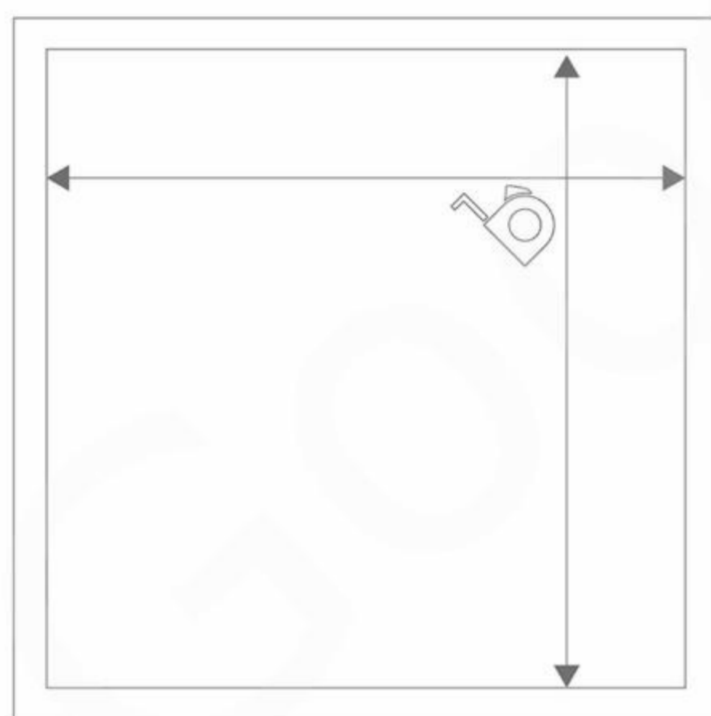


02. Flat ground

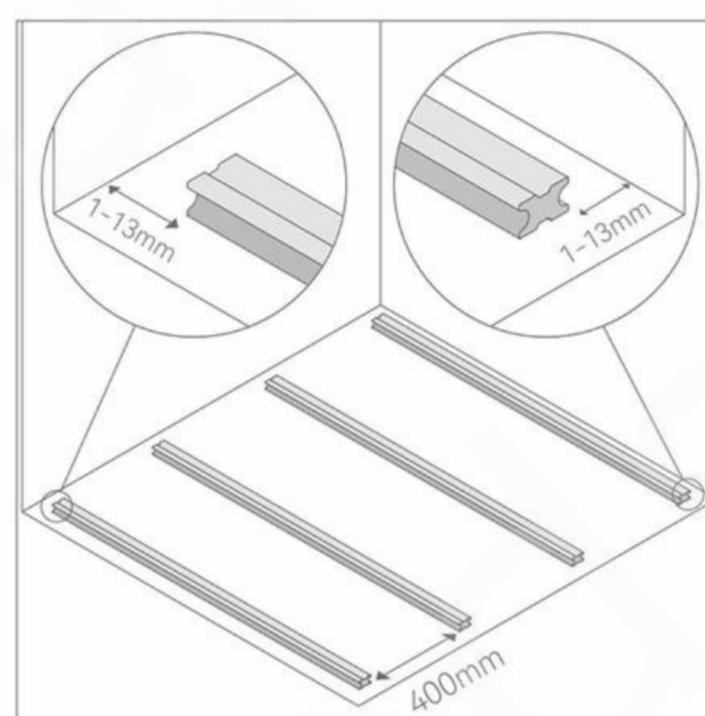


03. Keel spacing

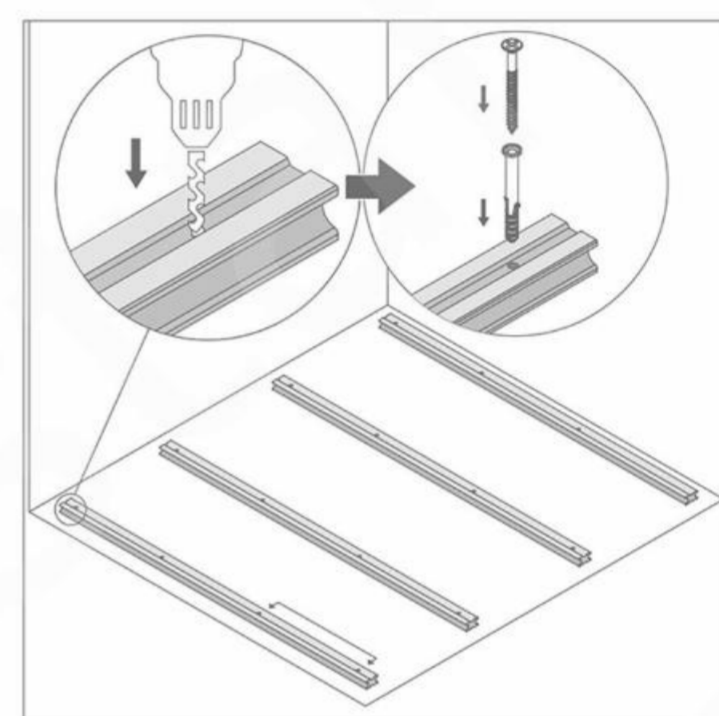
Installation:



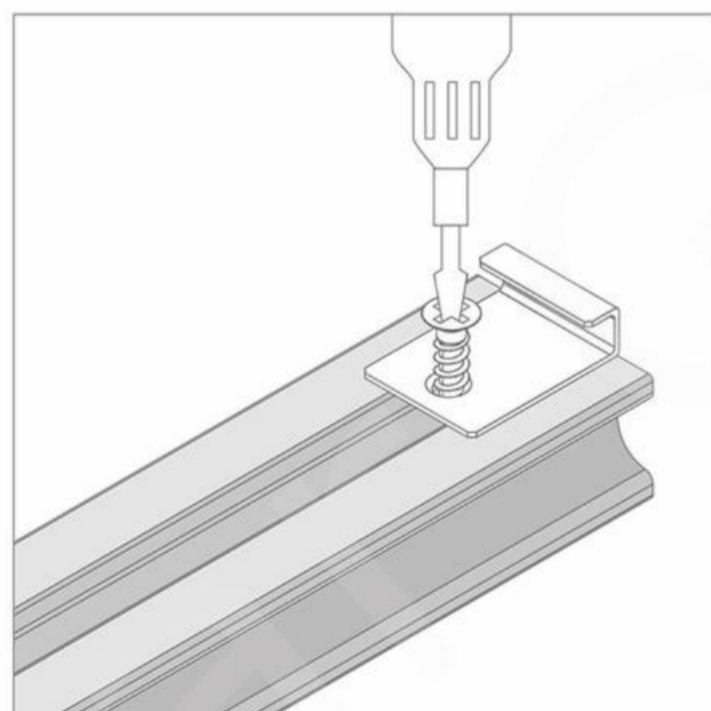
01. Use a tape measure to measure the length and width of the installation area and mark the positions.



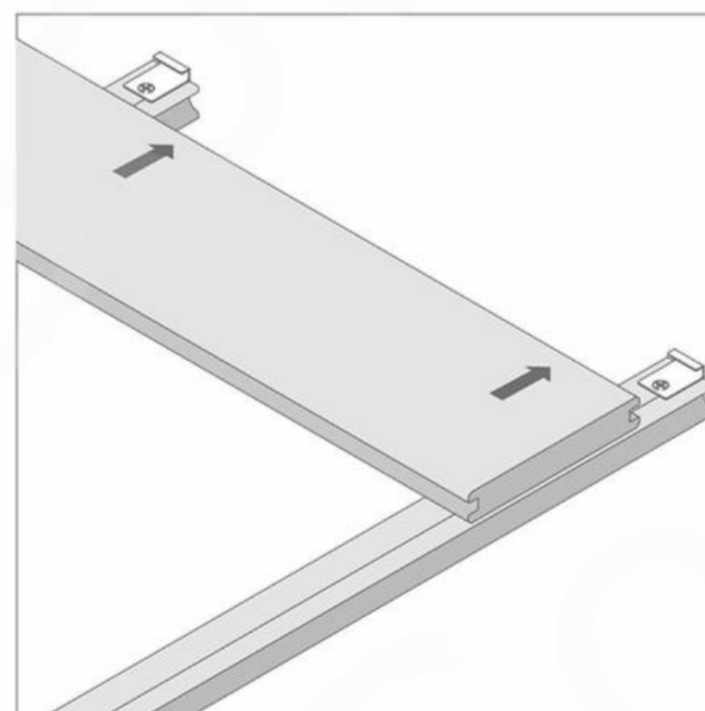
02. Place the keels along the marked lines, ensuring that the direction of the keels is perpendicular to the direction of the decking installation.



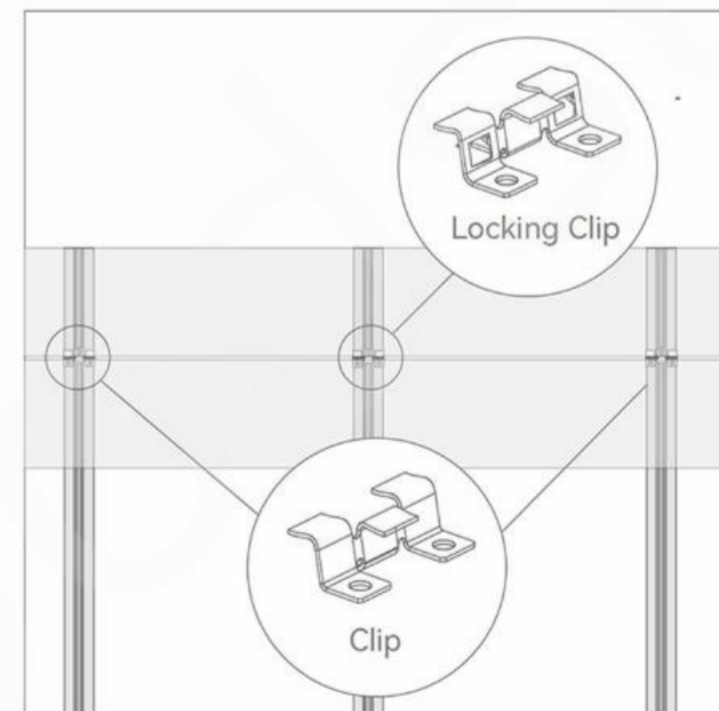
03. Use a power drill to pre-drill holes at the marked positions on the wood-plastic keels. Use a rubber mallet to tap the expansion screws into place, securing the keels.



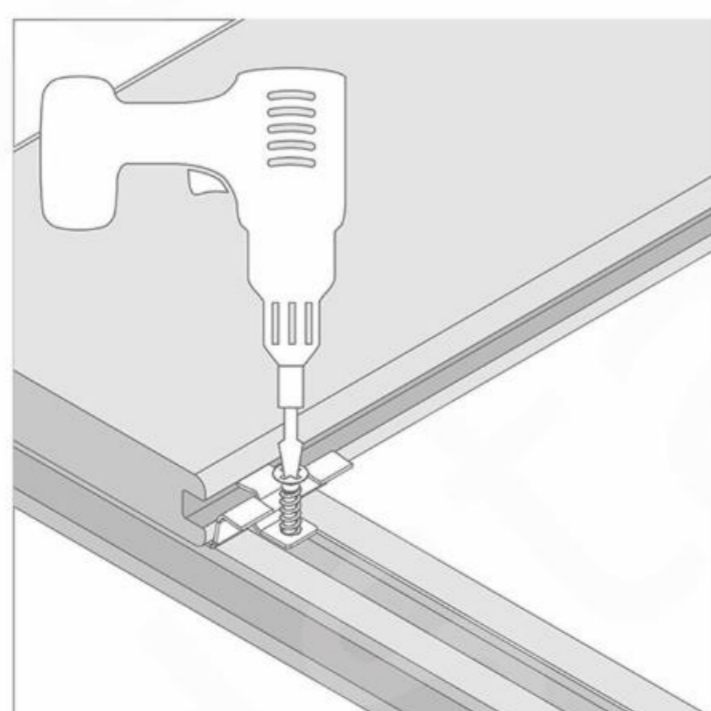
04. Pre-drill holes in the keels, then secure the start clips to the keels. Install the start clips sequentially.



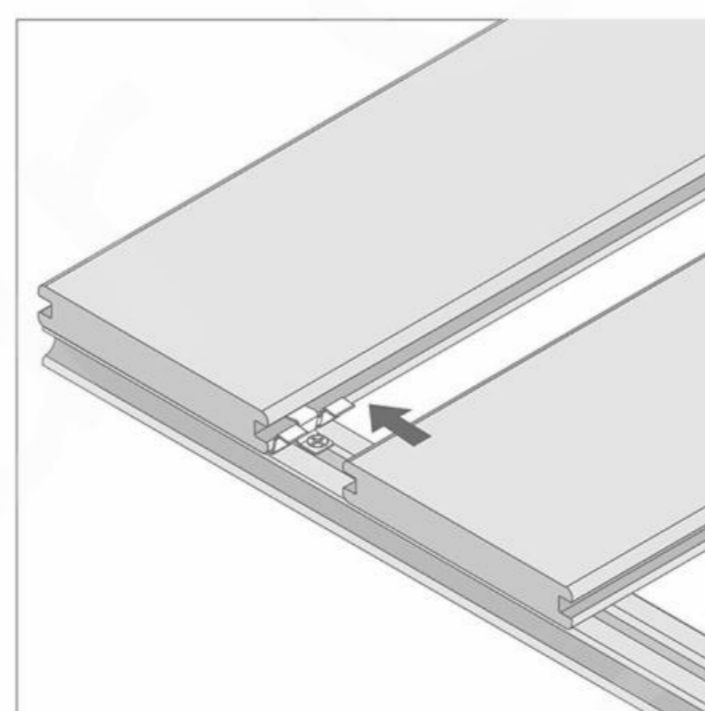
05. Align the first decking with the start clips, ensuring the edges are neat.



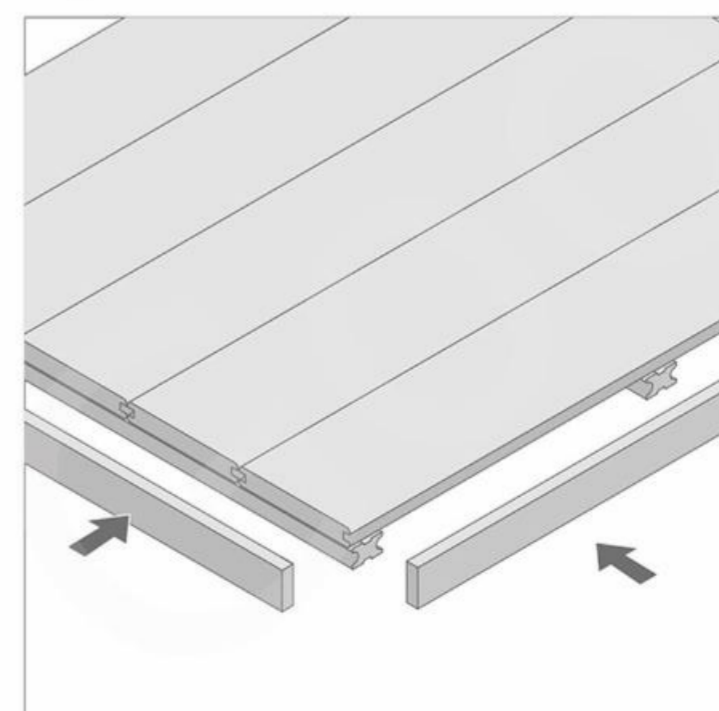
06. Use the clips to secure the decking sequentially, following the usage ratio of the two types of clips as shown in the diagram.



07. Insert the clips into the decking and secure the clips to the keels with screws.



08. Install the remaining deckings sequentially.



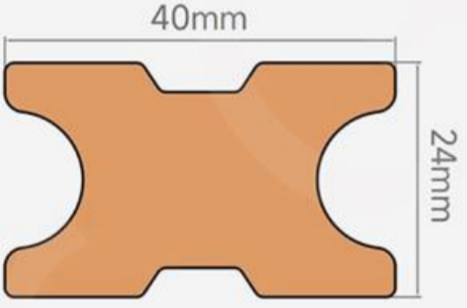
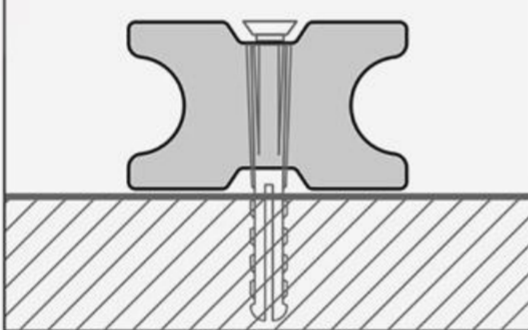

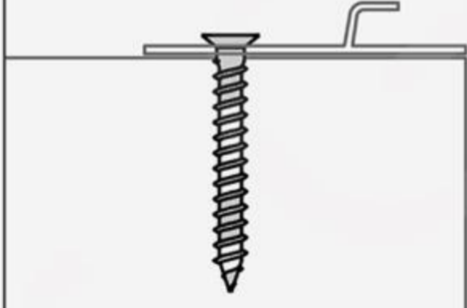

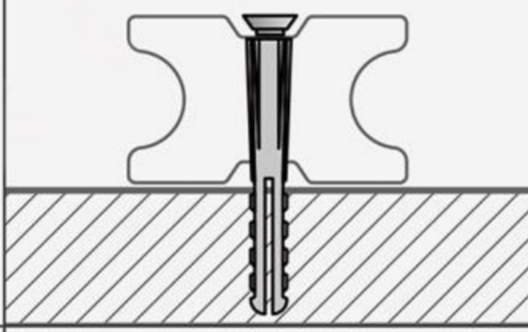

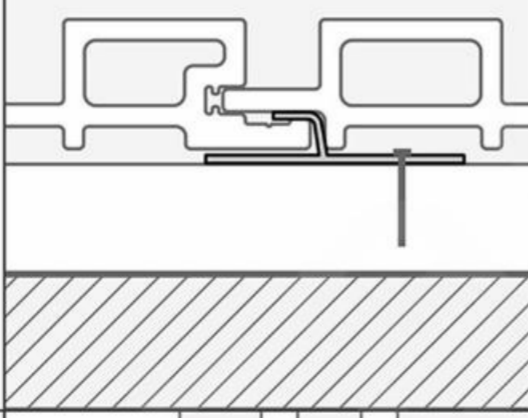

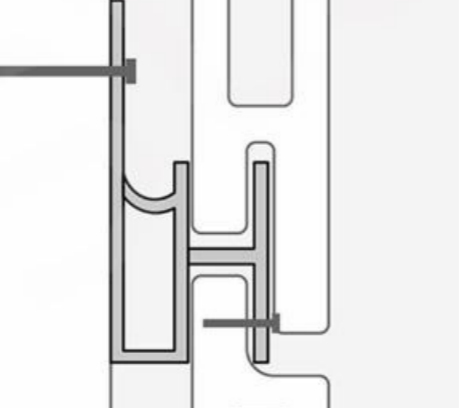
09. Finally, secure the end cap to the edges with screws.

>>>CLADDING INSTALLATION ACCESSORIES-1:

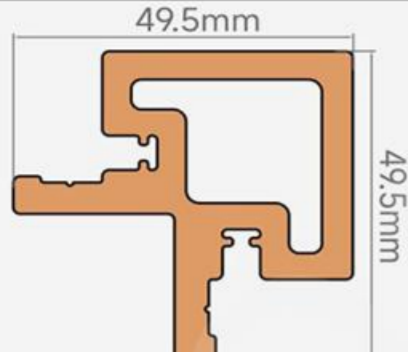
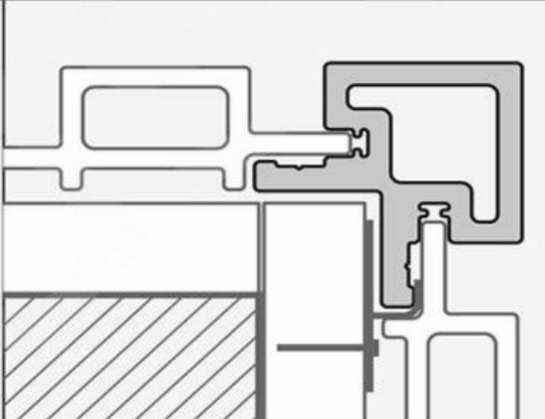
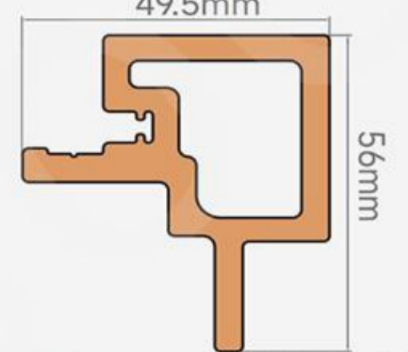
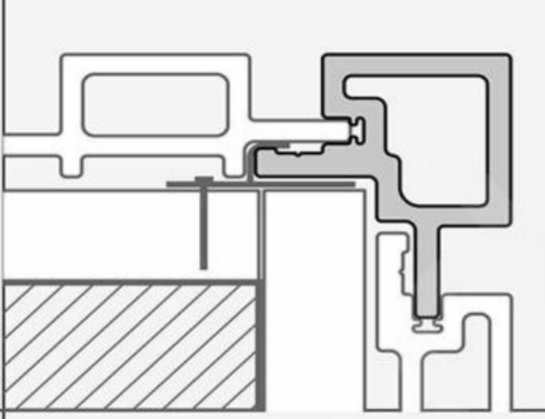
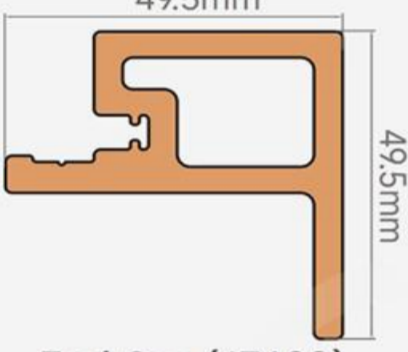
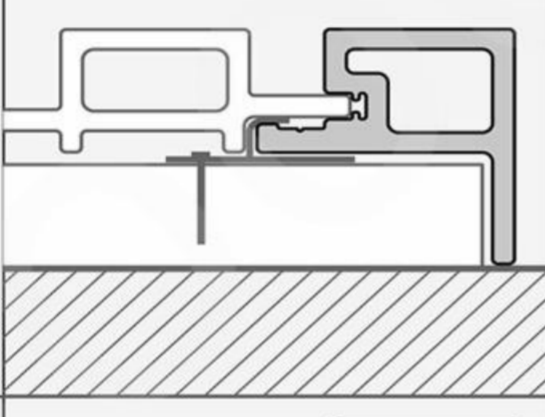

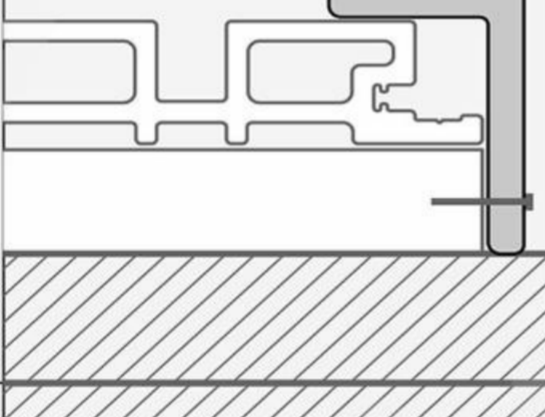
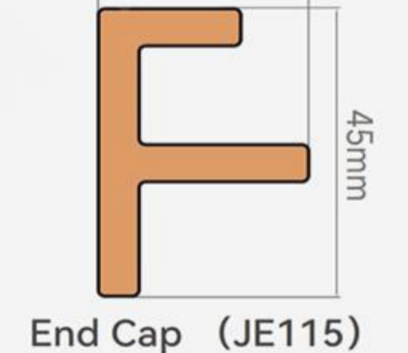
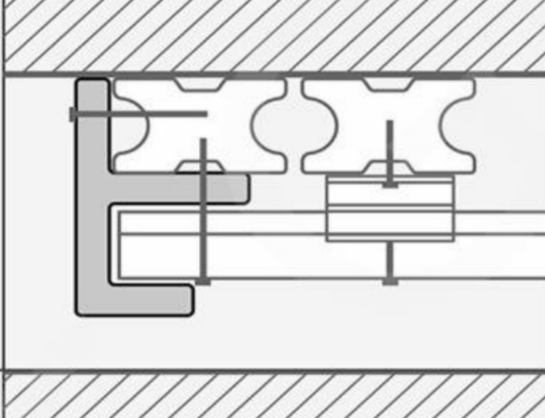
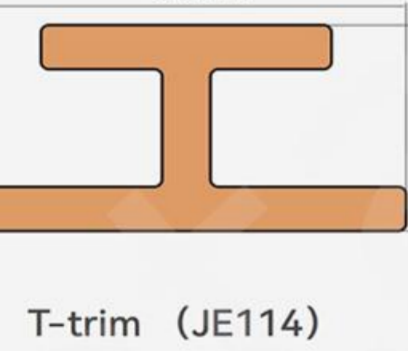
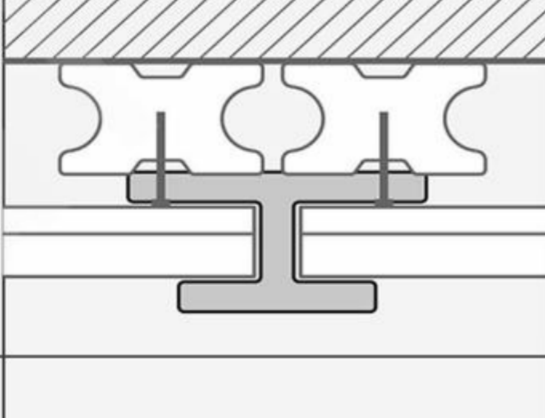

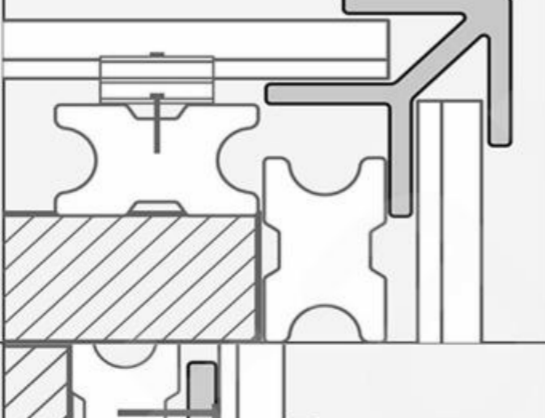
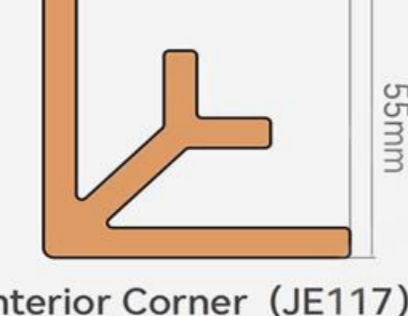
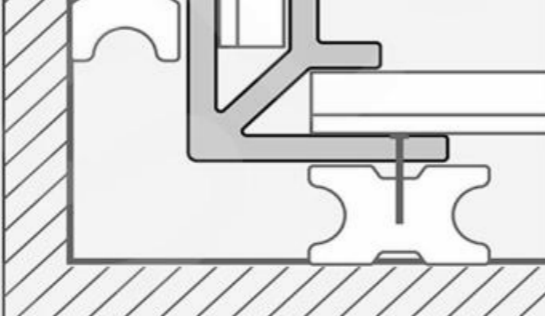
Wall cladding in the picture are only for reference, the exact color should be subject to the actual products.



Remark: ✓ Available - Not Available

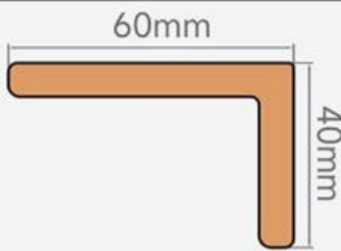
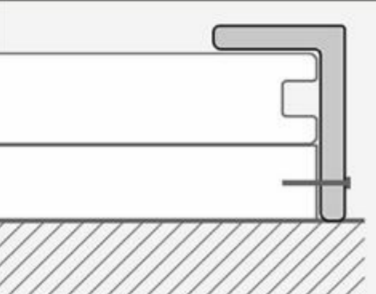

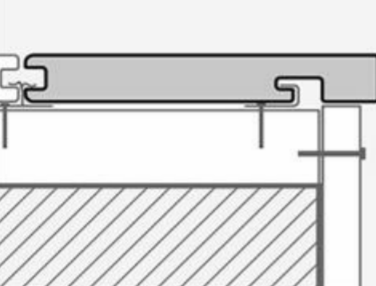

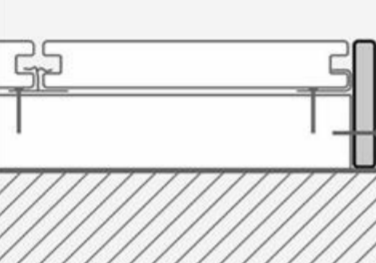

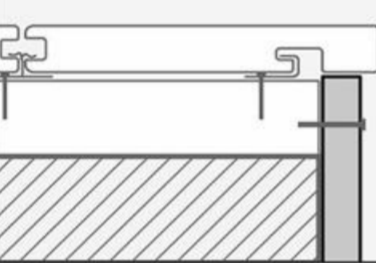
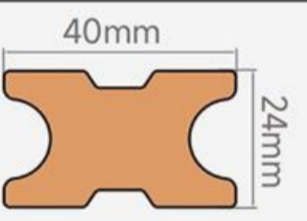
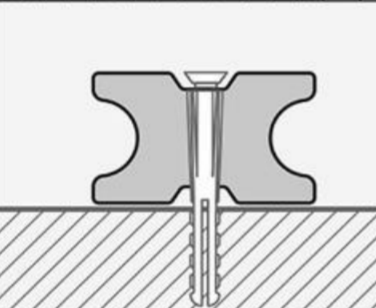

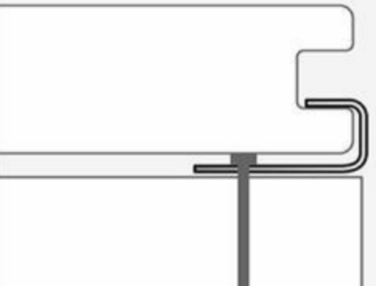

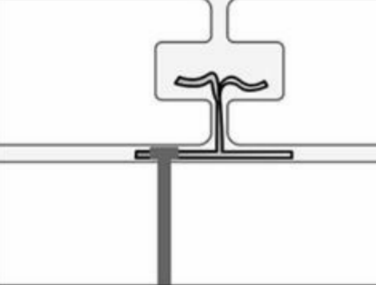

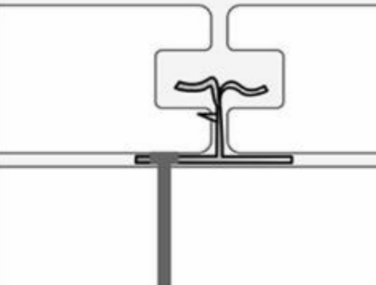

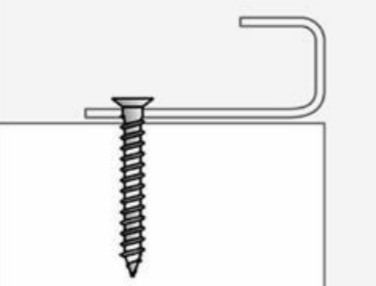

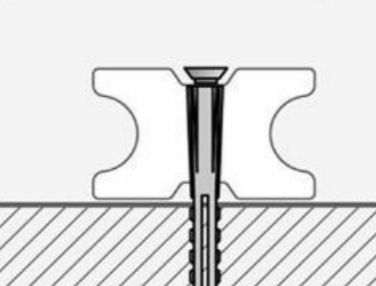
| ACCESSORIES | DIAGRAM | | | | | | | |
|---|---|---|---|---|---|---|---|---|
|  Keel (JE100) |  | ✓ | ✓ | ✓ | ✓ | ✓ | ✓ | ✓ |
|  Nail (L-A004) |  | ✓ | ✓ | ✓ | ✓ | ✓ | ✓ | ✓ |
|  Expansion Screw (L-A008) |  | ✓ | ✓ | ✓ | ✓ | ✓ | ✓ | ✓ |
|  Clip (A) |  | ✓ | ✓ | - | - | - | - | ✓ |
|  Clip (B) |  | - | - | - | - | ✓ | ✓ | ✓ |

>>>CLADDING INSTALLATION ACCESSORIES-2:

| ACCESSORIES | DIAGRAM | | | | | | | |
|--|---|---|---|---|---|---|---|---|
|  Exterior Corner (JE104) |  | ✓ | ✓ | - | - | - | - | - |
|  Exterior Corner (JE118) |  | ✓ | ✓ | - | - | - | - | - |
|  End Cap (JE108) |  | ✓ | ✓ | - | - | - | - | - |
|  End Cap (JE101) |  | - | - | - | - | - | - | ✓ |
|  End Cap (JE115) |  | - | - | - | - | ✓ | - | - |
|  T-trim (JE114) |  | - | - | - | - | ✓ | - | - |
|  Exterior Corner (JE116) |  | - | - | - | - | ✓ | - | - |
|  Interior Corner (JE117) |  | - | - | - | - | ✓ | - | - |

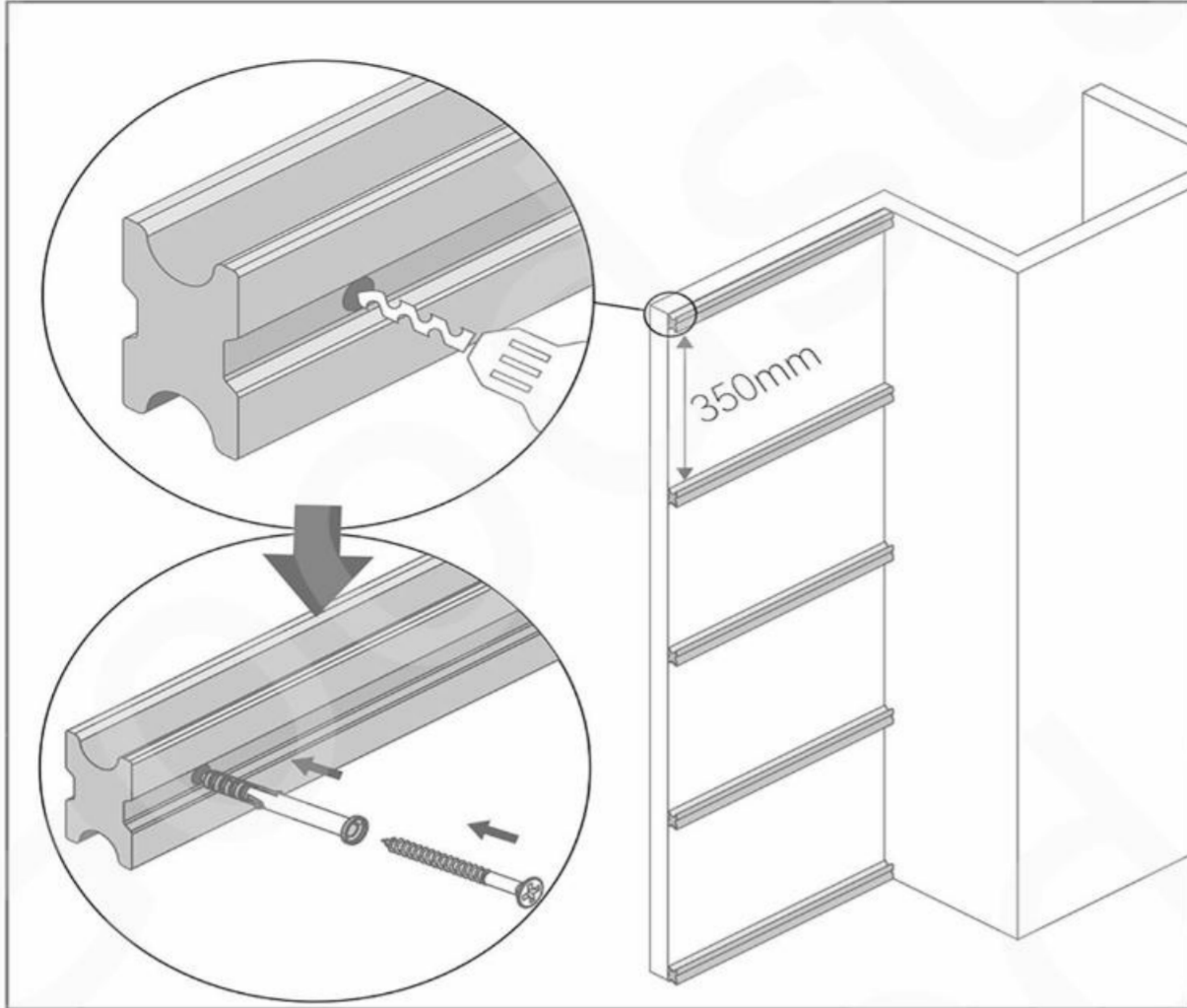
>>> DECKING INSTALLATION ACCESSORIES:

Decking in the picture are only for reference, the exact color should be subject to the actual products.

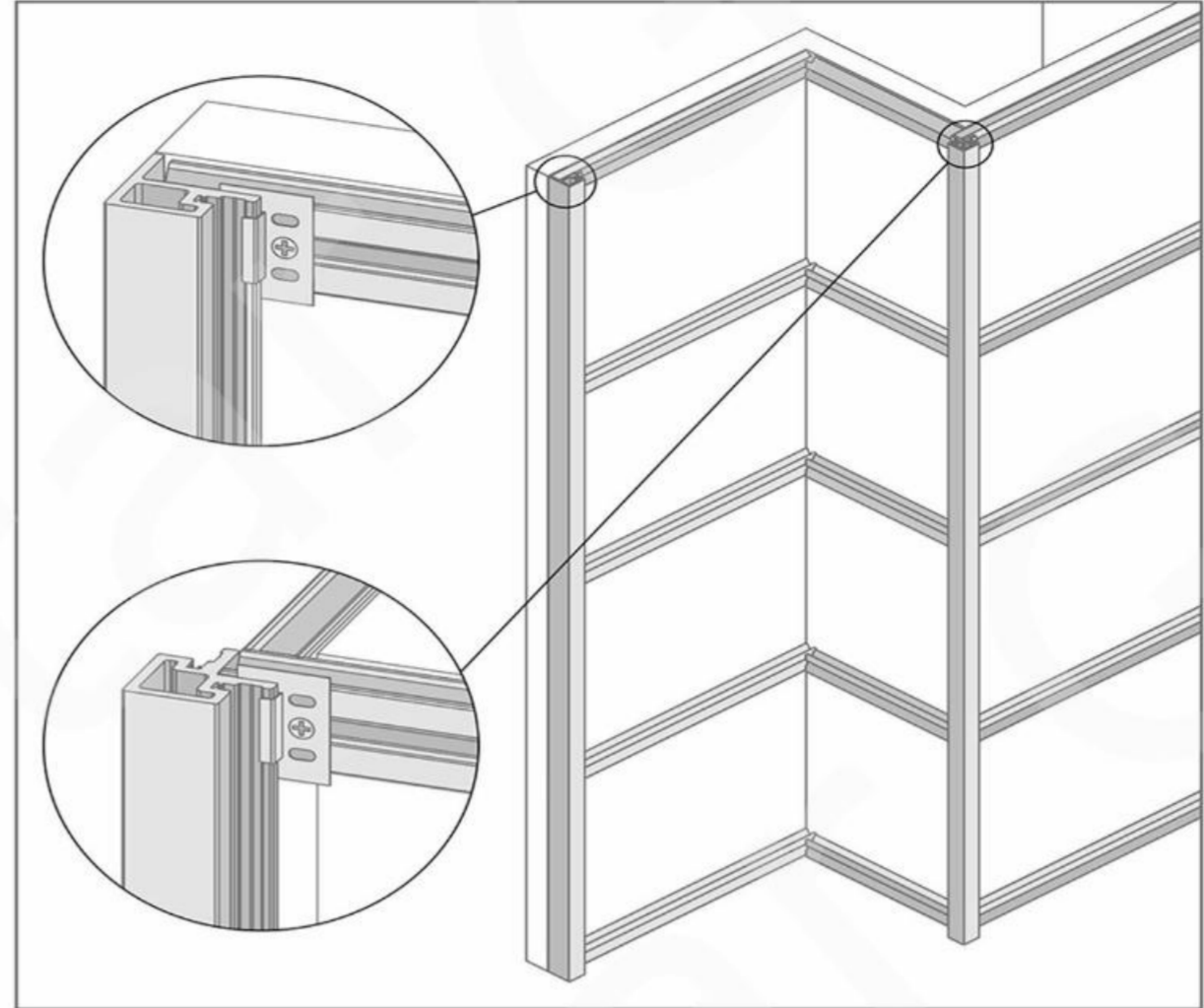
| ACCESSORIES | DIAGRAM | | | | | | | | | | | | |
|---|---|---|---|---|---|---|---|---|---|---|---|---|---|
|  End Cap (JE101) |  | ✓ | ✓ | ✓ | ✓ | ✓ | - | - | - | - | - | - | - |
|  End Cap (JE30) |  | ✓ | ✓ | - | ✓ | ✓ | - | - | - | - | - | - | - |
|  End Cap (JE110) |  | ✓ | ✓ | - | ✓ | ✓ | - | - | - | - | - | - | - |
|  Riser (JE113) |  | ✓ | ✓ | ✓ | ✓ | ✓ | - | - | - | - | - | - | - |
|  Keel (JE100) |  | ✓ | ✓ | ✓ | ✓ | ✓ | ✓ | ✓ | ✓ | ✓ | ✓ | ✓ | ✓ |
|  Start Clip (L-A002) |  | ✓ | ✓ | ✓ | ✓ | ✓ | ✓ | ✓ | ✓ | ✓ | ✓ | ✓ | ✓ |
|  Clip (L-A001) |  | ✓ | ✓ | ✓ | ✓ | ✓ | ✓ | ✓ | ✓ | ✓ | ✓ | ✓ | ✓ |
|  Clip (L-A001B) |  | ✓ | ✓ | ✓ | ✓ | ✓ | ✓ | ✓ | ✓ | ✓ | ✓ | ✓ | ✓ |
|  Nail (L-A004) |  | ✓ | ✓ | ✓ | ✓ | ✓ | ✓ | ✓ | ✓ | ✓ | ✓ | ✓ | ✓ |
|  Expansion Screw (L-A008) |  | ✓ | ✓ | ✓ | ✓ | ✓ | ✓ | ✓ | ✓ | ✓ | ✓ | ✓ | ✓ |

Remark: ✓ Available - Not Available

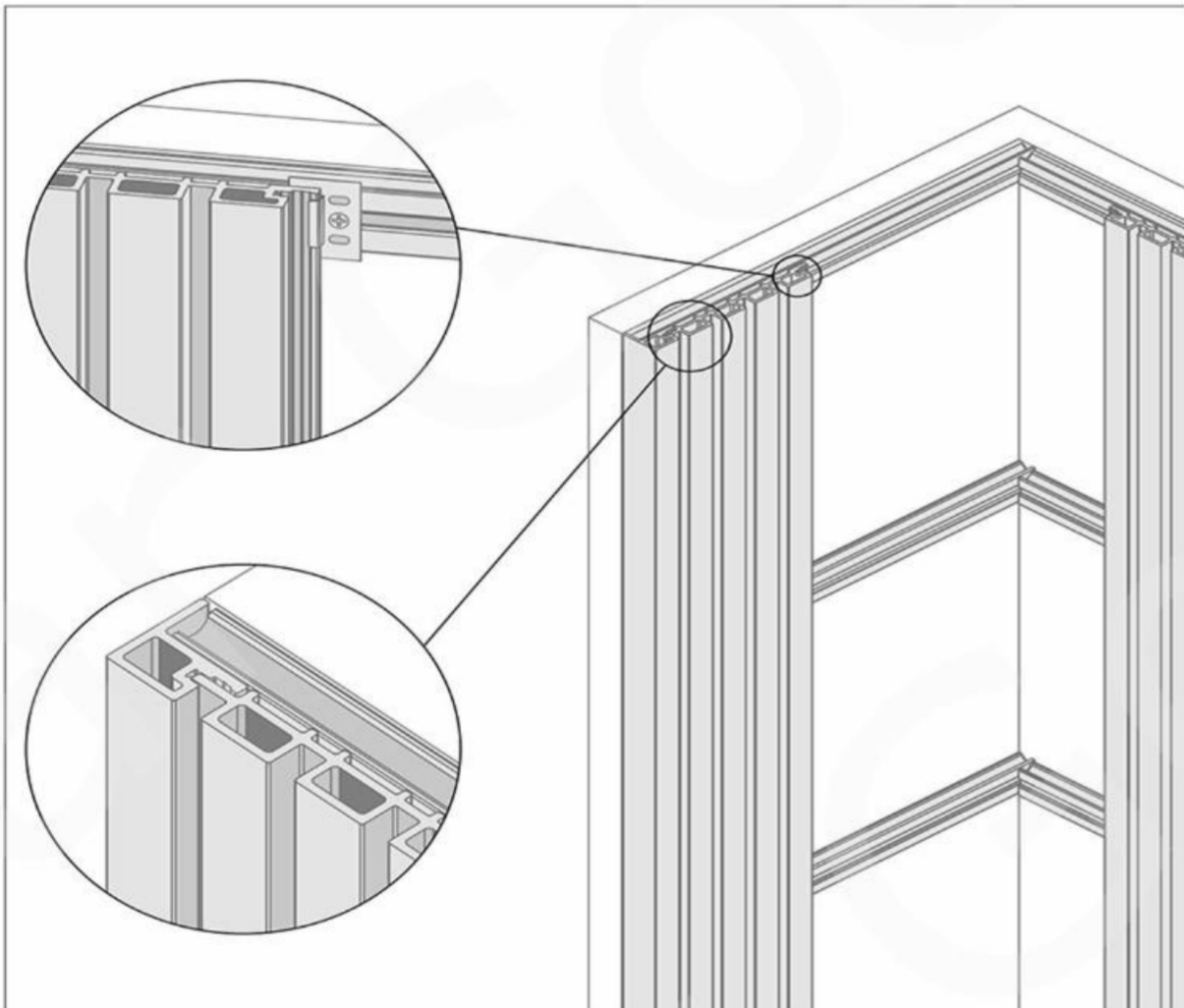
>>>FIRST TYPE STEPS :



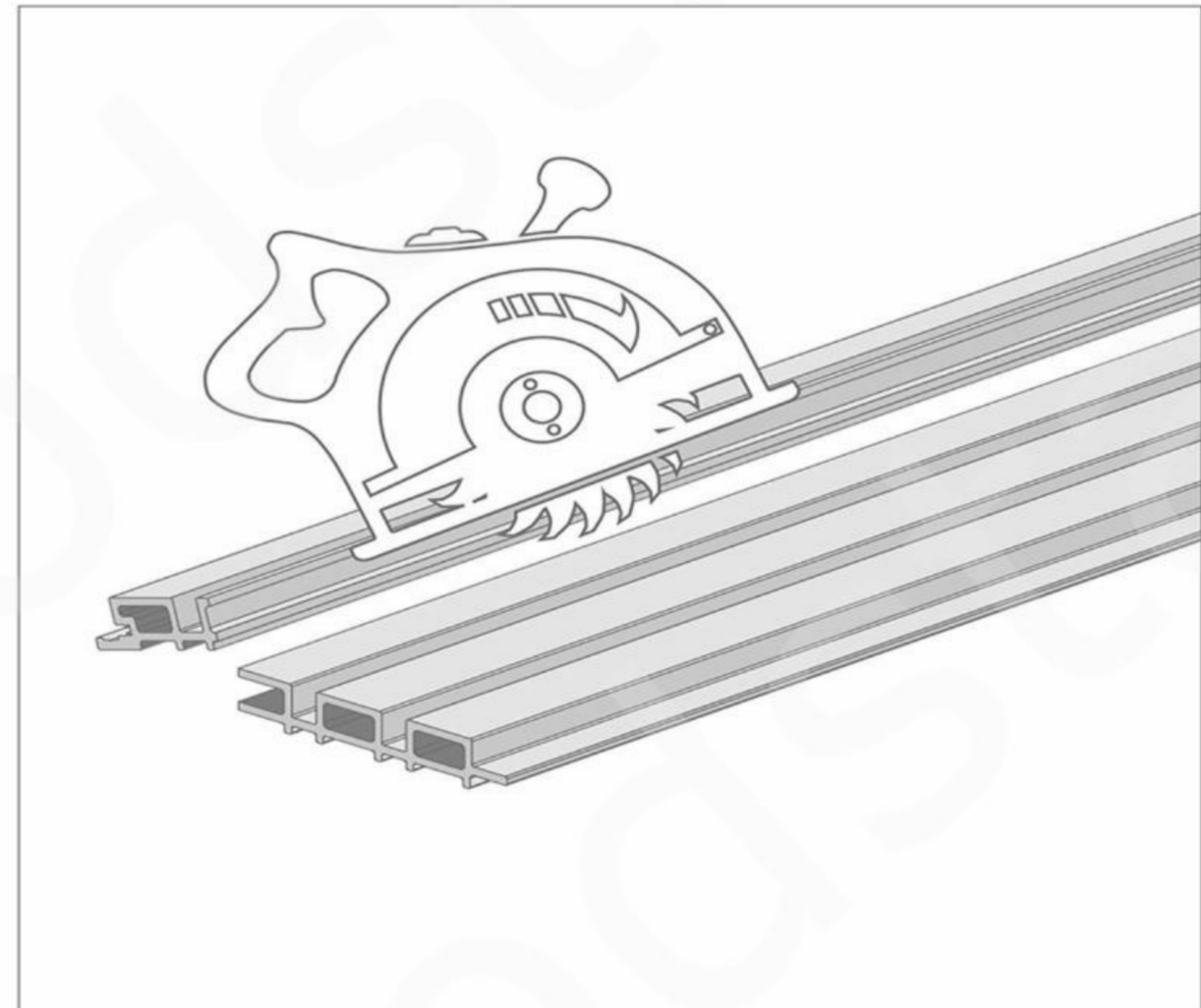
01. Install the keels horizontally using expansion screws, with a spacing of 35 cm between the keels.



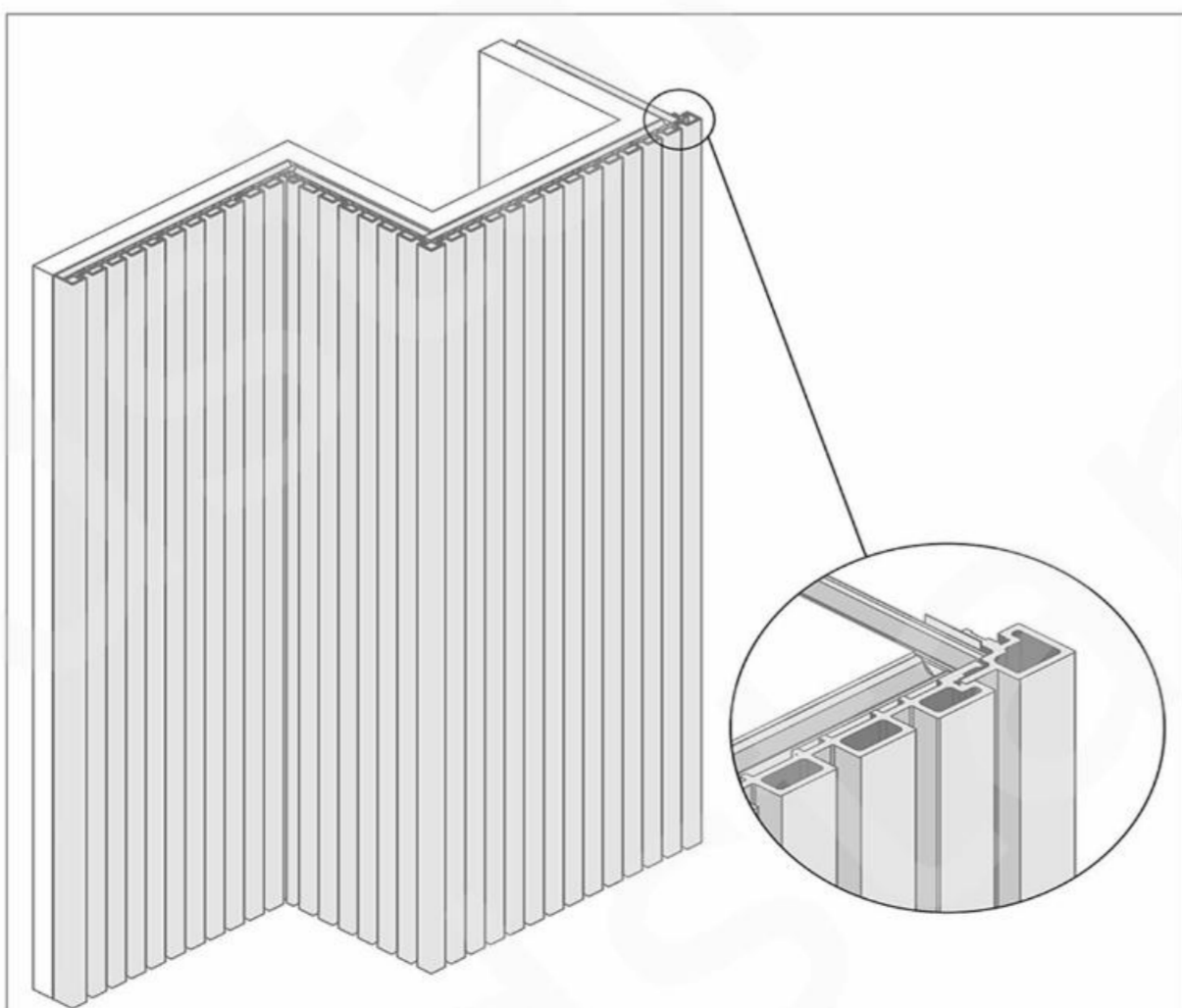
02. Use metal clips to install and secure the exterior corner and end cap.



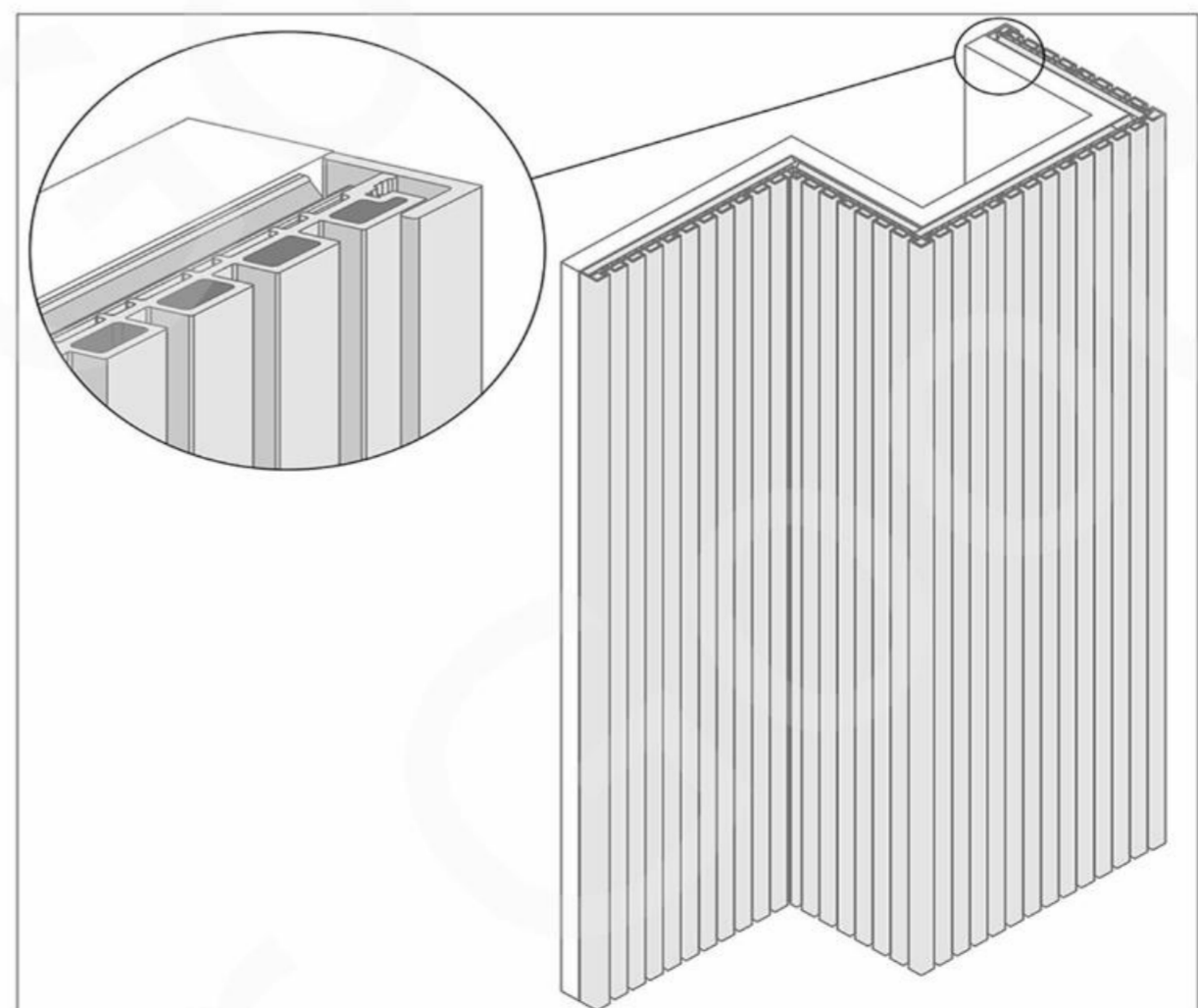
03. Install the wall panels sequentially from both sides, securing them with metal clips.



04. Cut the wall panels to fit the remaining length.



05. Install the corner trim on the other side.



06. Complete the installation of all wall panels and finish with end caps.

>>>PACKING DETAILS:

>>NO EXTRA COST PACKING:



>>NO EXTRA COST PACKING:





Whatsapp



Wechat

Goodstar (Shanghai)New Building Materials Co., Ltd.

Add:2F, No. 404, Tongle Road, Songjiang District, Shanghai

Contact:+8613817813669 Email:jeromewu@goodstarbm.com

Website:<https://goodstarbm.com/>